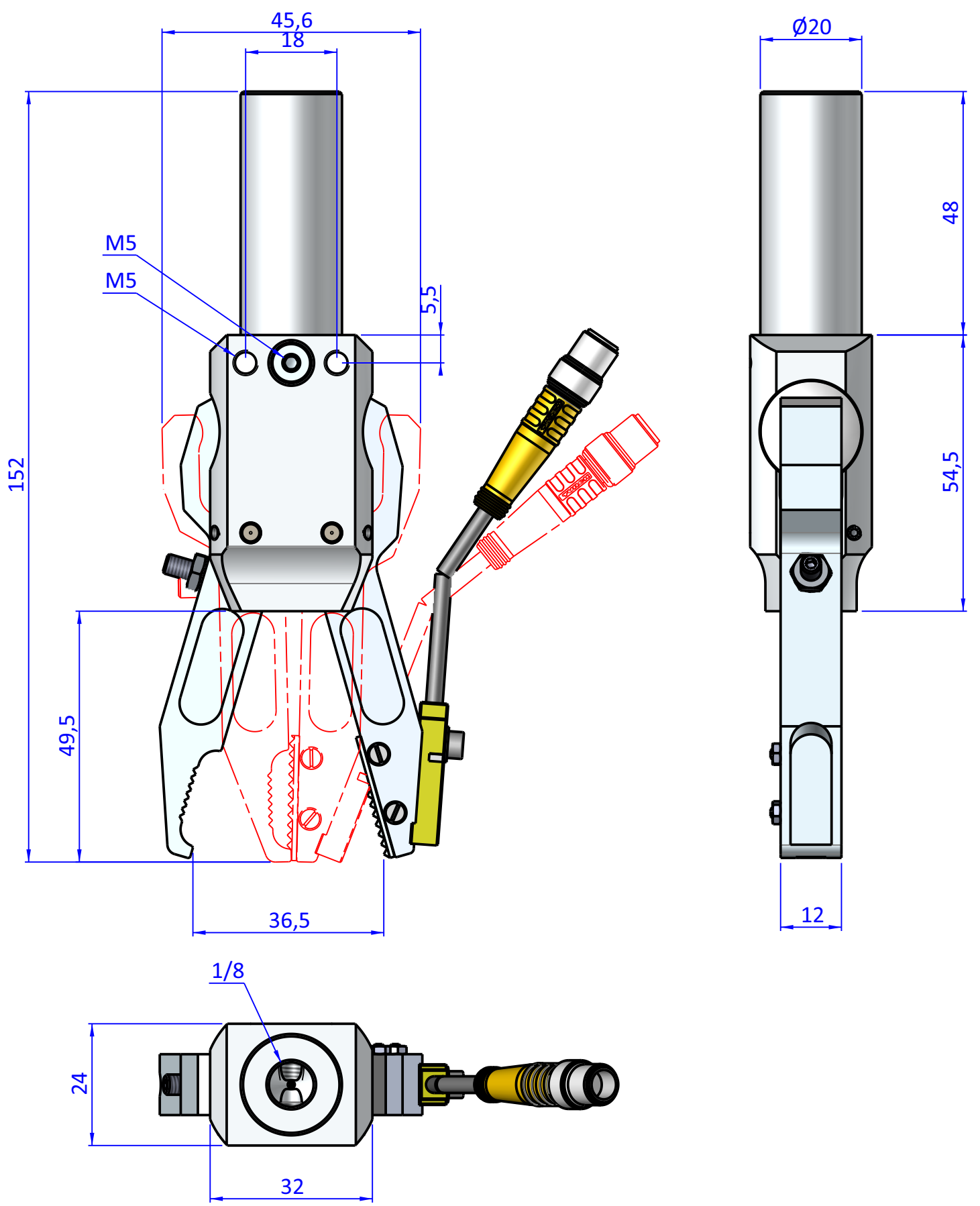
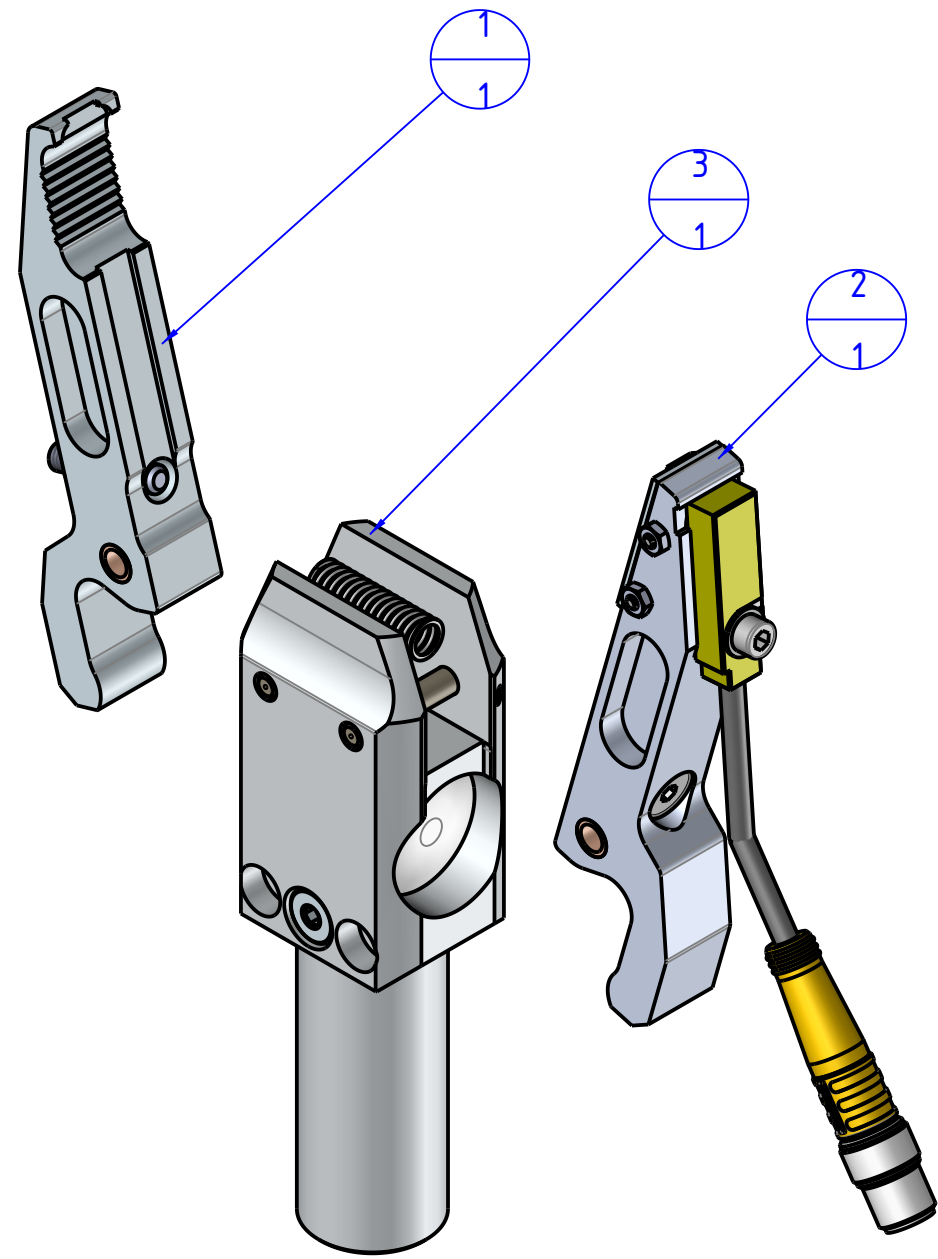

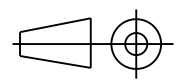


THE PROPERTY OF THE DRAWING IS ESTABLISHED BY LAW. IT IS FORBIDDEN TO PRODUCE OR SHOW IT TO THIRD PART - WITHOUT A WRITTEN AGREEMENT.

| Item | Name        | Q.ty |
|------|-------------|------|
| 1    | GTS.04.14.L | 1    |
| 2    | GTS.04.15.L | 1    |
| 3    | GTS.04.G18  | 1    |



Format A3  
UNI 936-76

|  |  |   |  |                                 |
|--|--|---|--|---------------------------------|
| <br><b>FPS</b><br>FPSERVICES AUTOMATION |  |  | DESIGNED FROM<br><b>FPS Automation</b> | REVIEW<br><b>A</b>              |
| GENERAL TOLERANCE<br>UNI - ISO 2768<br>CLASSE f  | DESCRIPTION<br><b>CA.GTS.1004.145L</b> | DATE<br>21/09/2021  | WEIGHT<br>0,193kg                      | CODE<br><b>CA.GTS.1004.145L</b> |